

Arc Flash Safety Systems

One of the original purposes of enclosures was to improve safety by minimizing incidental contact between humans and electrical components. As technology has evolved and new safety regulations are put into effect, Hoffman remains at the forefront of providing solutions that maximize safety and productivity.



INDEX

Data Interface Ports, INTERSAFE® Type 4/4X/12	AF-2
External Data Pocket, Type 4/12	AF-18
External Disconnect Enclosure Packages, SEQUESTER™	AF-10
External Disconnect Enclosures, SEQUESTER™	AF-8
Folding Shelf, Large Gray	AF-21
Lock Inserts for External Data Pockets	AF-20

INTERSAFE[®] Type 4/4X/12 Data Interface Ports



72 standard configurations available

Application

The INTERSAFE data interface ports are a solution for the intersection of convenience and safety. Ports are mounted on an enclosure to allow access to the programming devices inside the enclosure without opening the enclosure door. An important accessory for use with a broad range of enclosures, these ports maintain compliance with the NFPA 70E workplace safety standard.

Features

- Ready to use
- Frame and door assembly with aluminum back plate; 120 VAC receptacles and programming connectors are mounted to the plate in 72 standard configurations
- All standard configurations include a GFCI or standard duplex receptacle with a 5-amp circuit breaker for added safety
- Door gasket (between the door and plate assemblies) and plate gasket (between the plate assembly and the enclosure) together provide a tight seal
- Quarter-turn latch with screwdriver slot and padlock hasp on all steel and stainless steel configurations
- One model has a slot for customer-supplied CD ROM or disk drive bay (no drive is included)
- Modifications and customization available to accommodate a wide variety of additional connectors
- A blank plate is available for custom modifications

Construction

- Door assembly and frame manufactured from 16 gauge steel or stainless steel
- Clear-cover models have a molded polycarbonate door
- Steel and stainless steel doors are welded and ground
- Back plate is aluminum
- Installation cutout template provided

Finish

- RAL 9005 black fine-textured polyester powder coating—mild steel door assemblies
- Brushed finish—stainless steel door assemblies
- Brushed finish—aluminum back plates

Industry Standards

Mild Steel Painted Ports

UR/cUR Component recognized
UR 508A, File No. E61997: Type 4, 12
cUR C22.2 No. 94, File No. E61997: Type 4, 12
IEC 60529, IP66

Stainless Steel Ports

UR/cUR Component recognized
UR 508A, File No. E61997: Type 4X, 12
cUR C22.2 No. 94, File No. E61997: Type 4X, 12
IEC 60529, IP66

Clear-Cover (Polycarbonate) Ports

UR/cUR Component recognized
UR 508A, File No. E61997: Type 4X, 12
cUR C22.2 No. 94, File No. E61997: Type 4X, 12
IEC 60529, IP66

Patents

Patent pending

Modification and Customization

Modification: In addition to the 72 standard configurations, Hoffman can provide any combination of off-the-shelf connectors and mount them in a plate according to customer specifications.

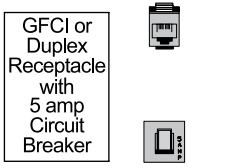
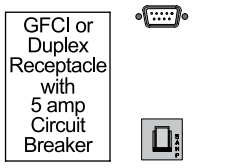
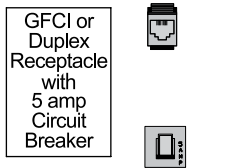
Customization: Custom ports also are available for quote.

Contact your Hoffman field sales representative for lists of custom connectors and other specific information about modification and customization services.

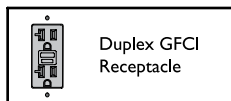
INTERSAFE® Type 4/4X/I2 Data Interface Ports

Rev. A 7/07

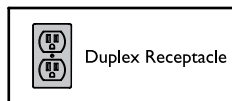
Standard Configurations INTERSAFE Type 4/4X/I2 Data Interface Ports

Catalog Number	Configuration	Primary Connector/ Termination	Secondary Connector/ Termination	Protocol	Supports Devices Sold by the Following Manufacturers	
 87790621	HGF5ETH HGF5ETHSS HGF5ETHCC	120 VAC duplex GFCI receptacle 5-amp circuit breaker	RJ45 10-ft. cable RJ45	Ethernet/ProfiNet	Allen-Bradley GE Fanuc Groupe Schneider Siemens Computer peripherals	
	HDP5ETH HDP5ETHSS HDP5ETHCC	120 VAC duplex receptacle 5-amp circuit breaker	RJ45 10-ft. cable RJ45	Ethernet/ProfiNet	Allen-Bradley GE Fanuc Groupe Schneider Siemens Computer peripherals	
	HGF5PB HGF5PBSS HGF5PBCC	120 VAC duplex GFCI receptacle 5-amp circuit breaker 9-pin Profibus	9-pin Profibus terminal with terminating resistor	Profibus	Allen-Bradley GE Fanuc Siemens	
 87790622	HDP5PB HDP5PBSS HDP5PBCC	120 VAC duplex receptacle 5-amp circuit breaker 9-pin Profibus	9-pin Profibus terminal with terminating resistor	Profibus	Allen-Bradley GE Fanuc Siemens	
	HGF58MDH HGF58MDHSS HGF58MDHCC	120 VAC duplex GFCI receptacle 5-amp circuit breaker 8-pin mini DIN DB9F	female 8-pin mini DIN 10-ft. cable with male 8-pin mini DIN	DB9F terminal block	Data Highway Plus	Allen-Bradley
	HDP58MDH HDP58MDHSS HDP58MDHCC	120 VAC duplex receptacle 5-amp circuit breaker 8-pin mini DIN DB9F	female 8-pin mini DIN 10-ft. cable with male 8-pin mini DIN	DB9F terminal block	Data Highway Plus	Allen-Bradley
 87790624	HGF5CN HGF5CNSS HGF5CNCC	120 VAC duplex GFCI receptacle 5-amp circuit breaker shielded RJ45	shielded RJ45 10-ft. shielded cable with male RJ45	ControlNet	Allen-Bradley	
	HDP5CN HDP5CNSS HDP5CNCC	120 VAC duplex receptacle 5-amp circuit breaker shielded RJ45	shielded RJ45 10-ft. shielded cable with male RJ45	ControlNet	Allen-Bradley	

All models include the door and frame assembly.

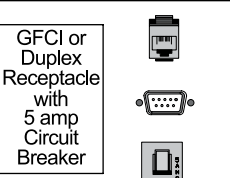
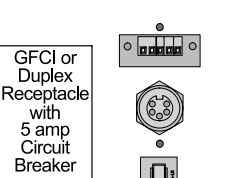
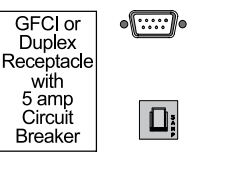
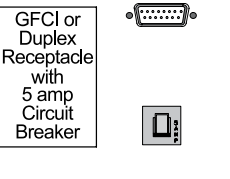
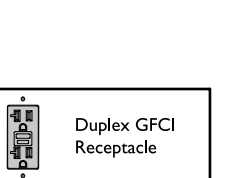

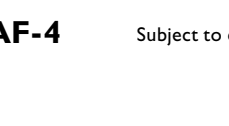


87792080

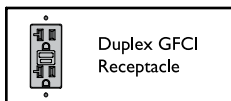


Arc Flash
Safety Systems

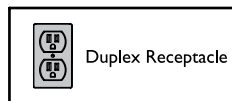
Standard Configurations INTERSAFE Type 4/4X/12 Data Interface Ports

Catalog Number	Configuration	Primary Connector/ Termination	Secondary Connector/ Termination	Protocol	Supports Devices Sold by the Following Manufacturers
 <p>GFCI or Duplex Receptacle with 5 amp Circuit Breaker</p> <p>87790625</p>	HGF5ETHDH	120 VAC duplex GFCI receptacle	DB9F terminal block	RJ45	DH+ ModBus Plus Ethernet Allen-Bradley Groupe Schneider Computer peripherals
	HGF5ETHDHSS	5-amp circuit breaker		10-ft. cable with male RJ45	
	HGF5ETHDHCC	RJ45			
 <p>GFCI or Duplex Receptacle with 5 amp Circuit Breaker</p> <p>87790626</p>	HGF5DN5P	120 VAC duplex GFCI receptacle	5-pin Phoenix Style terminal block	5-pin mini receptacle	DeviceNet Allen-Bradley GE Fanuc
	HGF5DN5PSS	5-amp circuit breaker		5-pin mini receptacle	
	HGF5DN5PCC	5-pin Phoenix Style 5-pin mini receptacle			
 <p>GFCI or Duplex Receptacle with 5 amp Circuit Breaker</p> <p>87790627</p>	HGF5GEG	120 VAC duplex GFCI receptacle	DB9		Genius GE Fanuc
	HGF5GEGSS	5-amp circuit breaker	10-ft. cable		
	HGF5GEGCC	DB9			
 <p>GFCI or Duplex Receptacle with 5 amp Circuit Breaker</p> <p>87790628</p>	HGF5GESNP	120 VAC duplex GFCI receptacle	DB15F		SNP GE Fanuc
	HGF5GESNPSS	5-amp circuit breaker	10-ft. cable		
	HGF5GESNPCC	DB15F			
 <p>GFCI or Duplex Receptacle with 5 amp Circuit Breaker</p> <p>87790629</p>	HDP5ETHDH	120 VAC duplex receptacle	DB9F terminal block	RJ45	DH+ ModBus Plus Ethernet Allen-Bradley Groupe Schneider Computer peripherals
	HDP5ETHDHSS	5-amp circuit breaker		10-ft. cable with male RJ45	
	HDP5ETHDHCC	RJ45			
 <p>GFCI or Duplex Receptacle with 5 amp Circuit Breaker</p> <p>87790630</p>	HDP5DN5P	120 VAC duplex receptacle	5-pin Phoenix Style terminal block	5-pin mini receptacle	DeviceNet Allen-Bradley GE Fanuc
	HDP5DN5PSS	5-amp circuit breaker		5-pin mini receptacle	
	HDP5DN5PCC	5-pin Phoenix Style 5-pin mini receptacle			
 <p>GFCI or Duplex Receptacle with 5 amp Circuit Breaker</p> <p>87790631</p>	HDP5GEG	120 VAC duplex receptacle	DB9		Genius GE Fanuc
	HDP5GEGSS	5-amp circuit breaker	10-ft. cable		
	HDP5GEGCC	DB9			
<p>GFCI or Duplex Receptacle with 5 amp Circuit Breaker</p> <p>87790632</p>	HDP5GESNP	120 VAC duplex receptacle	DB15F		SNP GE Fanuc
	HDP5GESNPSS	5-amp circuit breaker	10-ft. cable		
	HDP5GESNPCC	DB15F			




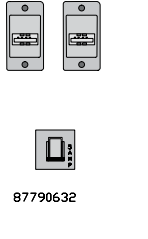
All models include the door and frame assembly.



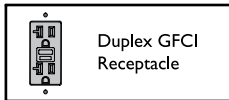
87792080



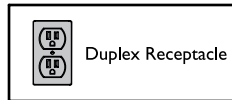
Standard Configurations INTERSAFE Type 4/4X/12 Data Interface Ports

Catalog Number	Configuration	Primary Connector/ Termination	Secondary Connector/ Termination	Protocol	Supports Devices Sold by the Following Manufacturers
 <p>GFCI or Duplex Receptacle with 5 amp Circuit Breaker</p> <p>87790629</p>	HGF5TMB HGF5TMBSS HGF5TMBCC	120 VAC duplex GFCI receptacle 5-amp circuit breaker DB9F	DB9F 10-ft. cable	Modbus	Groupe Schneider
	HDP5TMB HDP5TMBSS HDP5TMBCC	120 VAC duplex receptacle 5-amp circuit breaker DB9F	DB9F 10-ft. cable		Modbus
 <p>GFCI or Duplex Receptacle with 5 amp Circuit Breaker</p> <p>87790630</p>	HGF5TMM HGF5TMMSS HGF5TMMCC	120 VAC duplex GFCI receptacle 5-amp circuit breaker DB9F	DB9F 10-ft. cable	Micro	Groupe Schneider
	HDP5TMM HDP5TMMSS HDP5TMMCC	120 VAC duplex receptacle 5-amp circuit breaker DB9F	DB9F 10-ft. cable		Micro
 <p>GFCI or Duplex Receptacle with 5 amp Circuit Breaker</p> <p>87790631</p>	HGF5ETHETH HGF5ETHETHSS HGF5ETHETHCC	120 VAC duplex GFCI receptacle 5-amp circuit breaker RJ45 RJ45	RJ45 10-ft. cable	RJ45 10-ft. cable	Ethernet Computer peripherals
	HDP5ETHETH HDP5ETHETHSS HDP5ETHETHCC	120 VAC duplex receptacle 5-amp circuit breaker RJ45 RJ45	RJ45 10-ft. cable	RJ45 10-ft. cable	Ethernet
 <p>GFCI or Duplex Receptacle with 5 amp Circuit Breaker</p> <p>87790632</p>	HGF5USBUSB HGF5USBUSBSS HGF5USBUSBCC	120 VAC duplex GFCI receptacle 5-amp circuit breaker USB Type A USB Type A	USB Type A female 10-ft. cable with USB Type B connector	USB Type A female 10-ft. cable with USB Type B connector	USB 10-ft. cable Computer peripherals
	HDP5USBUSB HDP5USBUSBSS HDP5USBUSBCC	120 VAC duplex receptacle 5-amp circuit breaker USB Type A USB Type A	USB Type A female 10-ft. cable with USB Type B connector	USB Type A female 10-ft. cable with USB Type B connector	USB 10-ft. cable

All models include the door and frame assembly.



87792080

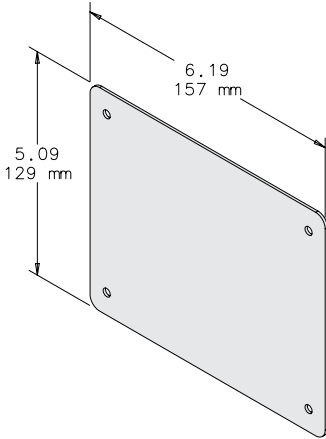


**Arc Flash
Safety Systems**

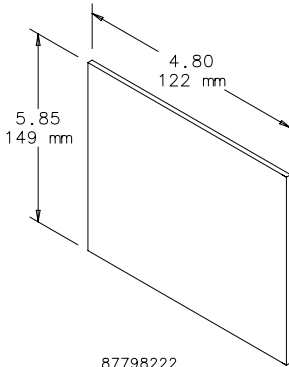
INTERSAFE Accessories



87790633



87790634

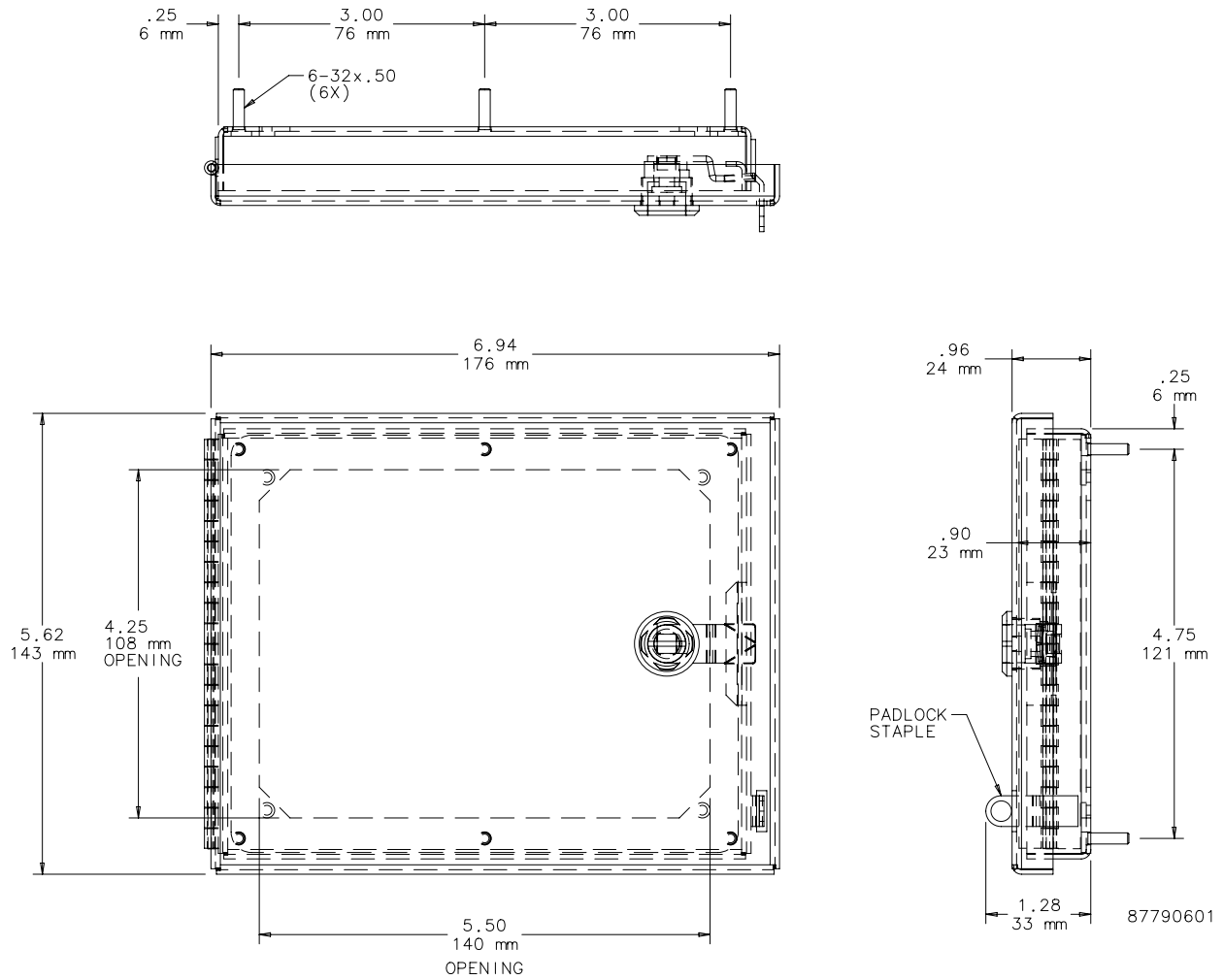


87798222

Catalog Number	Configuration	Description
HCP514B HCP514BSS	CP2/514b	2 gang cover for steel and stainless steel housings Dual CD ROM cover Hardware kit Customer-supplied computer drive equipment
HBP	CP2/Blank	Blank aluminum plate for steel and stainless steel assemblies
LFP1616	CP2/Blank	Blank aluminum plate for polycarbonate assemblies

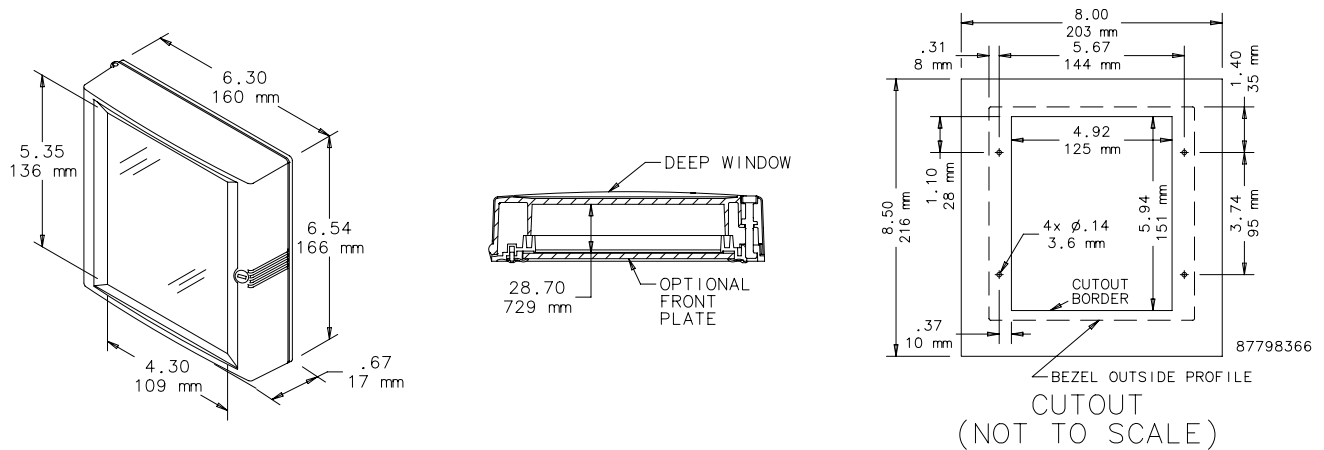
INTERSAFE® Type 4/4X/I2 Data Interface Ports

Steel and Stainless Steel Frame and Doors



**Arc Flash
Safety Systems**

Polycarbonate Cover with Metal Frame



SEQUESTR™ External Disconnect Enclosure

Rev. A 1/08



Application

External disconnect enclosure to retrofit disconnect cabinets to isolate incoming power from the main enclosure, mitigating the danger of arc flash occurrences when working on interior components. Disconnect switch is moved to the SEQUESTR enclosure with power pass-through to the main control cabinet. Designed to house the following:

◇ Allen-Bradley

- Bulletin 1494V DSX left-hand disconnect switches with flange-mounted variable depth operating mechanisms and Bulletin 1494V flange-mounted variable-depth operating mechanisms for circuit breakers.

These enclosures will not accept Allen-Bradley Bulletin 1494F disconnect devices or Bulletin 1494D circuit breaker operators.

- ### ◇ Schneider Square D® Class 9422 disconnect switches with flange-mounted left-hand variable-depth operating mechanisms and Class 9422 flange-mounted left-hand variable-depth operating mechanisms for circuit breakers.

These enclosures will not accept Square D Class 9422 bracket-mounted disconnect devices, Class 9422TGI or TG2 devices.

Features

- Interlocks (patent pending) with doors of main control cabinet when the disconnect switch is powered ON
- Maintains UL Type I2 rating
- Provision for pass-through power into the main cabinet—blank plate for customer modification
- Preferred disconnect cut out
- Quarter-turn screwdriver slot latch
- Hidden hinges
- Bonding provision on door
- Conductive back panel included
- Installation hardware and templates included

Construction

- 16 gauge steel
- Continuously welded and ground seams all around
- Hinged on right side

Finish

- ANSI 61 gray exterior and interior
- Included back panel has conductive finish

Industry Standards

UL 508A, File No. E61997: Type I2
NEMA/EEMAC Type I2
JIC standards EGP-I-1967 and EMP-I-1967
CSA File No. 42186: Type I2
IEC 60529, IP55

Accessories

- Terminal plates for 30, 60, 100, 200 amp systems
- Blank terminal plate
- Corrosion inhibitors
- Padlocking wing knob
- Thermal management products
- Touch-up paint (ATPHS61)

Patents

Patent pending

Standard Sizes External Disconnect Enclosure including back panel

Catalog Number	Enclosure Size A x B x C (in.)	Enclosure Size A x B x C (mm)
AXD18	34.45 x 14.00 x 18.12	875 x 356 x 460
AXD20	34.45 x 14.00 x 20.12	875 x 356 x 511
AXD24	34.45 x 14.00 x 24.12	875 x 356 x 613

Optional Terminal Plates^a

Catalog Number	For
ATBP3060	30 and 60 amp switches
ATBP100	100 amp switches
ATBP200	200 amp switches
ATBBP	Blank terminal block plate

^aIP20 rated

Optional Replacement Conductive Panel

Catalog Number	Panel Size (in.)	Panel Size (mm)	Description
A31P12G	31.00 x 12.16	787 x 309	16 gauge

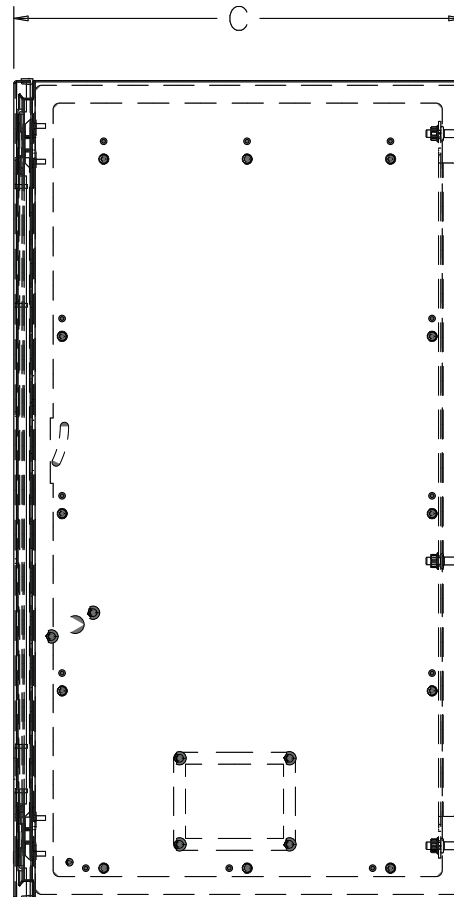
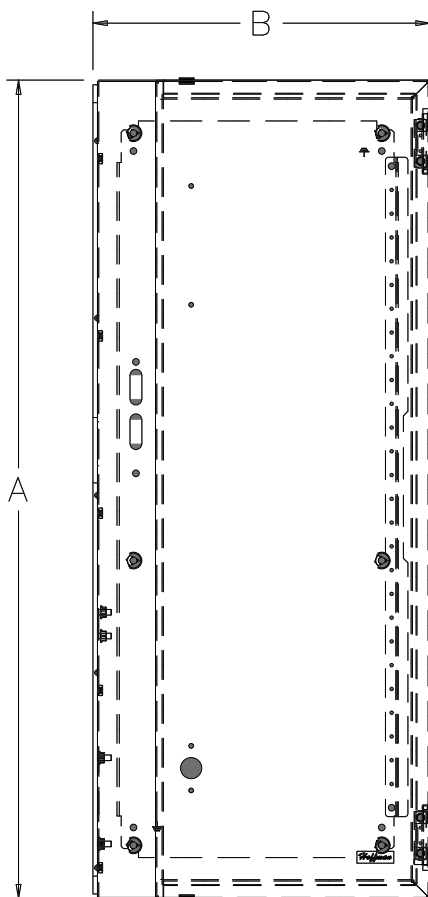
SEQUESTR™ External Disconnect Enclosure

Furnished with enclosures:

1. Door interlock brackets
2. Door latching system (2-point on SEQUESTR Enclosure, 3-point on main control cabinet doors)
3. Instructions to locate and install disconnect
4. Grounding hardware kit
5. Conductive panel in SEQUESTR External Disconnect Enclosure

Ordering a Disconnect?

Disconnect switch (or circuit breakers), operating handle, and operating mechanism are not furnished with enclosure. Consult the Hoffman Specifier's Guide Technical Information chapter for wire bend information and hoffmanonline.com for disconnect manufacturer information. Consult drawings to match the disconnect device you are using with the correct enclosure size.



87923295



Application

External disconnect enclosure mounted to floor-standing cabinet. Isolates incoming power from the main control cabinet to mitigate the danger of arc flash occurrences when working on interior components. Disconnect switch and fuse block/circuit breaker is mounted in the external cabinet with terminal connections to bring power to the main cabinet.

Designed to house the following:

◇ Allen-Bradley

- Bulletin 1494V DSX left-hand disconnect switches with flange-mounted variable depth operating mechanisms and Bulletin 1494V flange-mounted variable-depth operating mechanisms for circuit breakers.

These enclosures will not accept Allen-Bradley Bulletin 1494F disconnect devices or Bulletin 1494D circuit breaker operators.

- ◇ **Schneider Square D®** Class 9422 disconnect switches with flange-mounted left-hand variable-depth operating mechanisms and Class 9422 flange-mounted left-hand variable-depth operating mechanisms for circuit breakers.

These enclosures will not accept Square D Class 9422 bracket-mounted disconnect devices, Class 9422TGI or TG2 devices.

Features

- Interlocks (patent pending) doors of main control cabinet when disconnect switch is powered ON
- Mechanical interlock on main control enclosure activated by master door prevents slave door from being opened first. Doors can be closed in any sequence.
- Provision for pass-through power into the main enclosure
- Preferred disconnect cut out
- Quarter-turn, screwdriver slot latch on SEQUESTR Enclosure
- Rugged POWERGLIDE® handle with three-point latch on main control enclosure
- Grounding studs on body
- Bonding provision on door
- Conductive back panel included in SEQUESTR External Disconnect Enclosure
- Optional back panel for main control cabinet for maximum ordering flexibility
- SEQUESTR External Disconnect Enclosure is shipped unattached for easy disconnect installation

Construction

- A28X base enclosure
- A70D external disconnect enclosure
- External disconnect enclosure 16 gauge steel; main control cabinet 10 gauge steel
- Continuously welded and ground seams all around
- Body flange trough excludes liquids and contaminants
- Heavy duty lifting eyes anchored into reinforced top
- Removable center posts for easy back panel installation
- No disconnect cutout on main control cabinet

Finish

- SEQUESTR External Disconnect Enclosure ANSI 61 gray exterior and interior
- A28X main control cabinet ANSI 61 gray exterior and white interior
- SEQUESTR External Disconnect Enclosure back panel has conductive finish

Industry Standards

UL 508A, File No. E61997: Type I2
NEMA/EEMAC Type I2
JIC standards EGP-I-1967 and EMP-I-1967
CSA File No. 42186: Type I2
IEC 60529, IP55

Accessories

- Terminal plates for 30, 60, 100, 200 amp systems
- Blank terminal block plate
- A28 back panels (white or conductive finish)
- Corrosion inhibitors
- Floor stand kits
- Light kits
- Thermal management products
- Touch-up paint (ATPHS61)
- Window kits

Patents

Patent pending

Optional Terminal Plates^a

Catalog Number	For
ATBP3060	30 and 60 amp switches
ATBP100	100 amp switches
ATBP200	200 amp switches
ATBBP	Blank terminal block plate

^aIP20 rated

Furnished with enclosures

1. Door interlock brackets
2. Door latching system (2-point on SEQUESTR Enclosure, 3-point on main control cabinet doors)
3. Instructions to locate and install disconnect
4. Grounding hardware kit
5. Conductive panel in SEQUESTR External Disconnect Enclosure

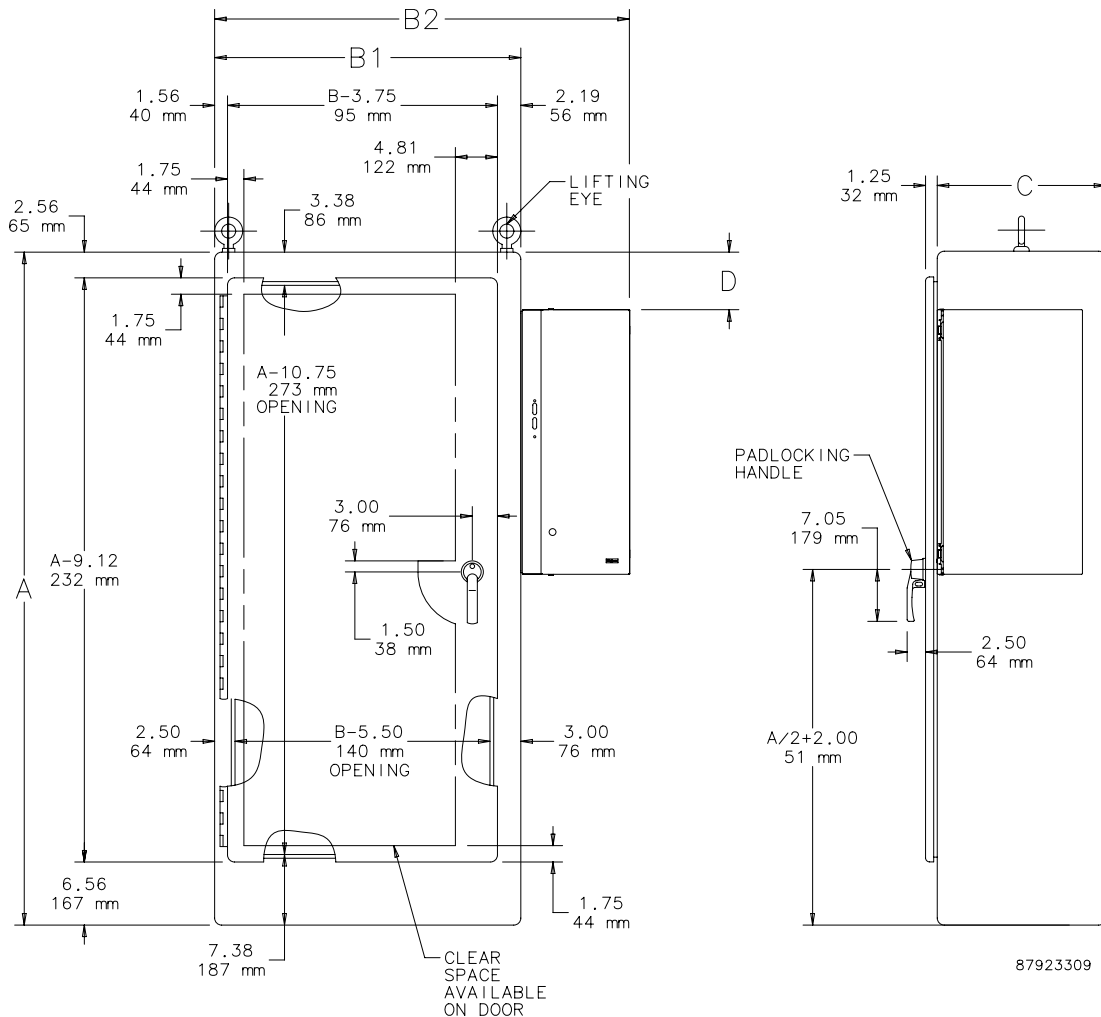
Ordering

Disconnect switch (or circuit breakers), operating handle, and operating mechanism are not furnished with enclosure. Consult the Hoffman Specifier's Guide Technical Information section for wire bend information and hoffmanonline.com for disconnect manufacturer information. Consult drawings on following pages to match the disconnect device you are using with the correct enclosure size.

Standard Sizes Single-Door Enclosures

Catalog Number	Package Size A x B1 x C (in.)	Package Size A x B1 x C (mm)	B2 (in.)	B2 (mm)	D (in.)	D (mm)	Panel Catalog No. ^a	Panel Size (in.)	Panel Size (mm)
A72XD2818FTCLP	72.12 x 28.25 x 18.12	1832 x 718 x 460	42.25	1073	0.00	0	A72PM28	60.00 x 21.75	1524 x 552
A72XD3418FTCLP	72.12 x 34.25 x 18.12	1832 x 870 x 460	48.25	1226	0.00	0	A72PM34	60.00 x 27.75	1524 x 705
A72XD4018FTCLP	72.12 x 40.25 x 18.12	1832 x 1022 x 460	54.25	1378	0.00	0	A72PM40	60.00 x 33.75	1524 x 857
A84XD4018FTCLP	84.12 x 40.25 x 18.12	2137 x 1022 x 460	54.25	1378	12.00	305	A84PM40	72.00 x 33.75	1829 x 857
A90XD4018FTCLP	90.12 x 40.25 x 18.12	2287 x 1022 x 460	54.25	1378	18.00	457	A90PM40	78.00 x 33.75	1981 x 857
A90XD4020FTCLP	90.12 x 40.25 x 20.12	2289 x 1022 x 511	54.25	1378	18.00	457	A90PM40	78.00 x 33.75	1981 x 857
A84XD4024FTCLP	84.12 x 40.25 x 24.12	2137 x 1022 x 613	54.25	1378	12.00	305	A84PM40	72.00 x 33.75	1829 x 857
A90XD4024FTCLP	90.12 x 40.25 x 24.12	2289 x 1022 x 613	54.25	1378	18.00	457	A90PM40	78.00 x 33.75	1981 x 857

^aPurchase panels separately.

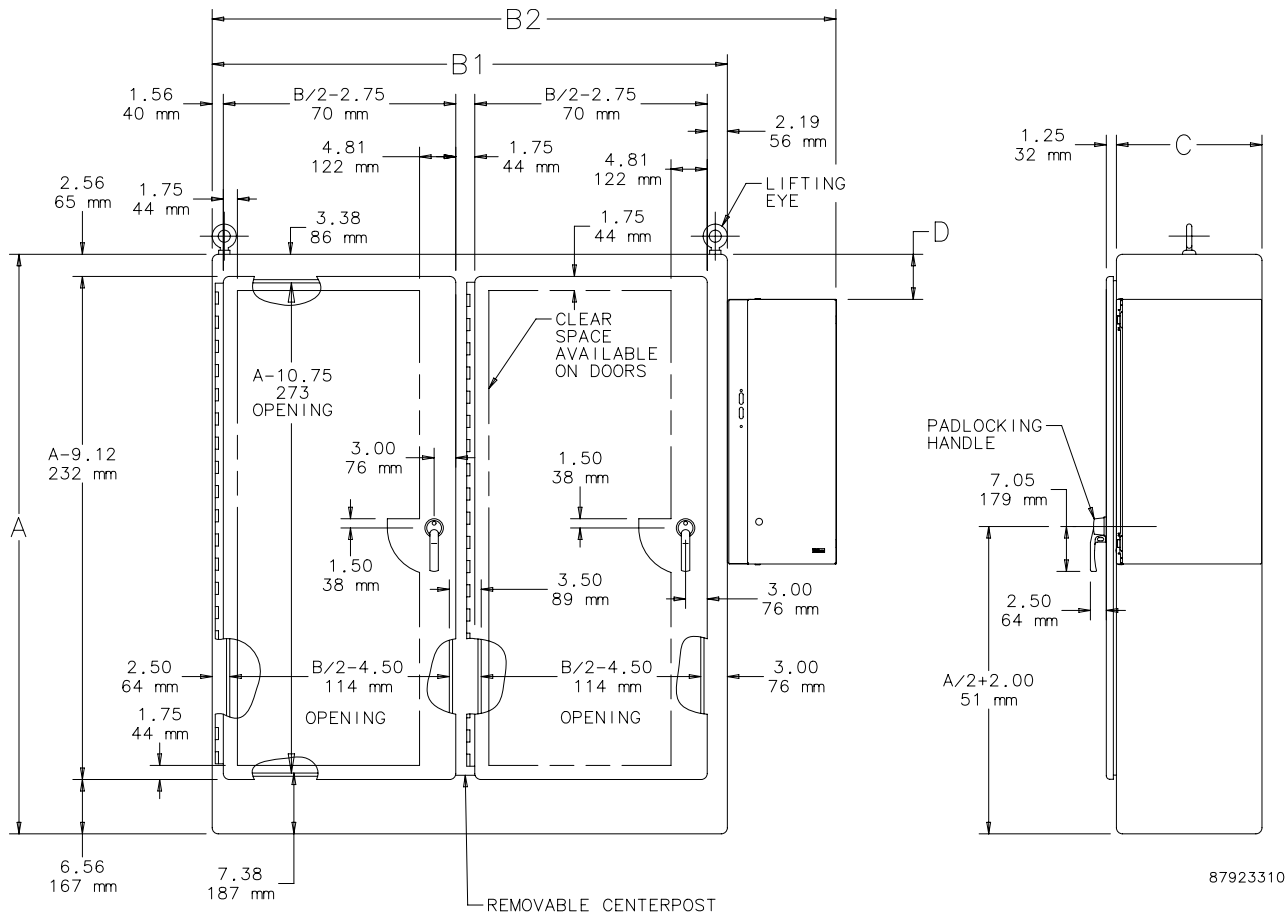


Arc Flash
Safety Systems

Standard Sizes Two-Door Enclosures

Catalog Number	Package Size A x B1 x C (in.)	Package Size A x B1 x C (mm)	B2 (in.)	B2 (mm)	D (in.)	D (mm)	Stiffener Locations (in.)	Stiffener Locations (mm)	Panel Catalog No. ^a	Panel Size (in.)	Panel Size (mm)
A72XD5418FTCLP	72.12 x 54.50 x 18.12	1832 x 1384 x 460	68.50	1740	0.00	0	None	None	A72PM54	60.00 x 48.00	1524 x 1219
A72XD6618FTCLP	72.12 x 66.50 x 18.12	1832 x 1689 x 460	80.50	2045	0.00	0	21.00	533	A72PM66	60.00 x 60.00	1524 x 1524
A72XD7818FTCLP	72.12 x 78.50 x 18.12	1832 x 1994 x 460	92.50	2350	0.00	0	24.00	610	A72PM78	60.00 x 72.00	1524 x 1829
A84XD7818FTCLP	84.12 x 78.50 x 18.12	2137 x 1994 x 490	92.50	2350	12.00	305	24.00	610	A84PM78	72.00 x 72.00	1829 x 1829
A90XD7818FTCLP	90.12 x 78.50 x 18.12	2289 x 1994 x 460	92.50	2350	18.00	457	24.00	610	A90PM78	78.00 x 72.00	1981 x 1829
A90XD7820FTCLP	91.12 x 78.50 x 20.12	2289 x 1994 x 511	92.50	2350	18.00	457	24.00	610	A90PM78	78.00 x 72.00	1981 x 1829
A72XD7824FTCLP	72.12 x 78.50 x 24.12	1832 x 1994 x 613	92.50	2350	0.00	0	24.00	610	A72PM78	60.00 x 72.00	1524 x 1829
A84XD7824FTCLP	84.12 x 78.50 x 24.12	2137 x 1994 x 613	92.50	2350	12.00	305	24.00	610	A84PM78	72.00 x 72.00	1829 x 1829
A90XD7824FTCLP	90.12 x 78.50 x 24.12	2289 x 1994 x 613	92.50	2350	18.00	457	24.00	610	A90PM78	78.00 x 72.00	1981 x 1829

^aPurchase panels separately.



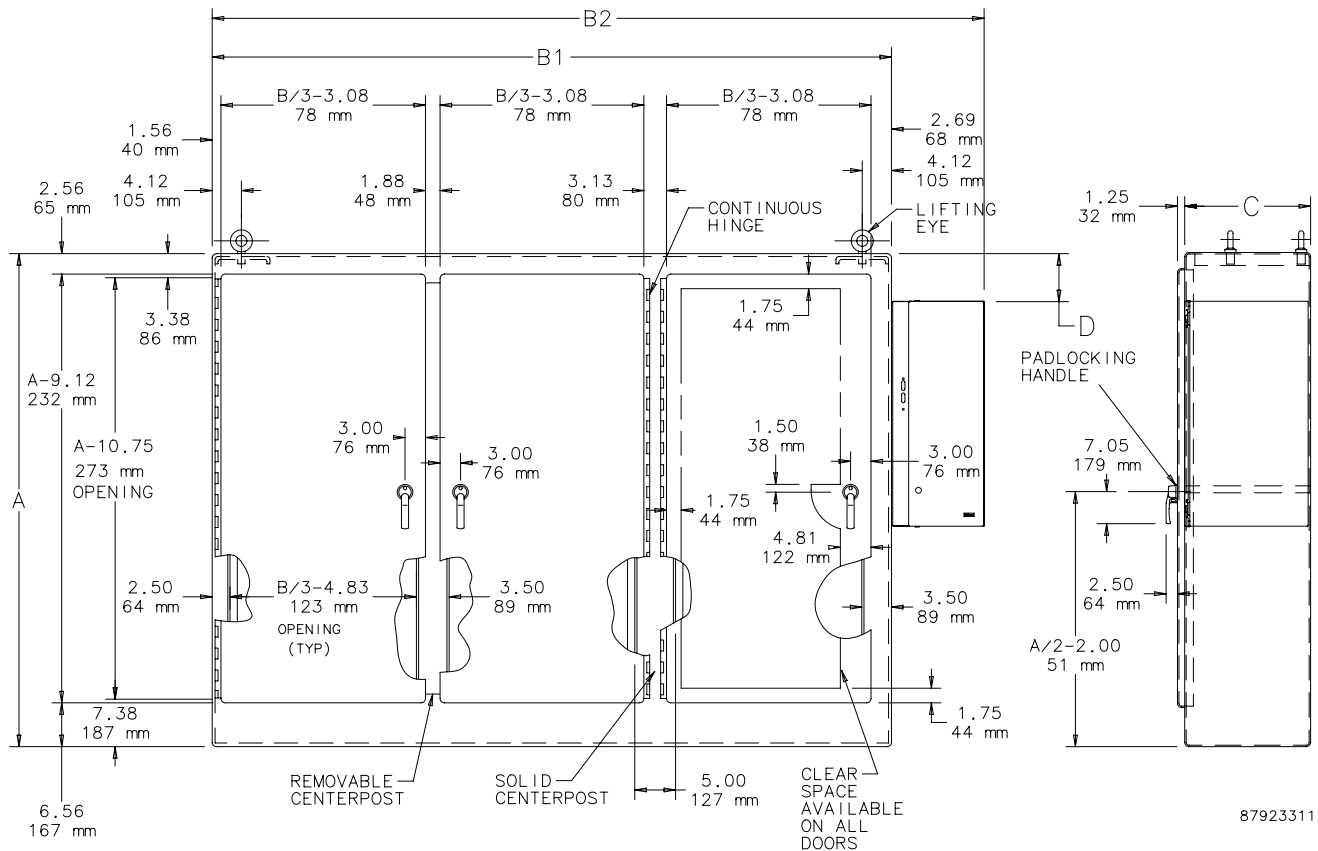
SEQUESTR™ External Disconnect Enclosure Packages

Standard Sizes Three-Door Enclosures

Catalog Number	Package Size A x B1 x C in. (mm)	B2 (in.)	B2 (mm)	D (in.)	D (mm)	Lrg. Panel Catalog No. ^a	Number () and Size of Panels	Sm. Panel Catalog No. ^a	Number () and Size of Panels
A72XD3EQ18FTCLP	72.12 x 100.75 x 18.12 (1832 x 2559 x 460)	114.75	2915	0.00	0	A72PM66	(1) 60.00 x 60.00 (1524 x 1524)	A72PM34	(1) 60.00 x 27.75 (1524 x 705)
A72XD3EW18FTCLP	72.12 x 118.75 x 18.12 (1832 x 3016 x 460)	132.75	3372	0.00	0	A72PM78	(1) 60.00 x 72.00 (1524 x 1829)	A72PM40	(1) 60.00 x 33.75 (1524 x 857)
A84XD3EW18FTCLP	84.12 x 118.75 x 18.12 (2137 x 3016 x 460)	132.75	3372	12.00	305	A84PM78	(1) 72.00 x 72.00 (1829 x 1829)	A84PM40	(1) 72.00 x 33.75 (1829 x 857)
A84XD3EW24FTCLP	84.12 x 118.75 x 24.12 (2137 x 3016 x 613)	132.75	3372	12.00	305	A84PM78	(1) 72.00 x 72.00 (1829 x 1829)	A84PM40	(1) 72.00 x 33.75 (1829 x 857)
A90XD3EW24FTCLP	90.12 x 118.75 x 24.12 (2289 x 3016 x 613)	132.75	3372	18.00	457	A90PM78	(1) 78.00 x 72.00 (1981 x 1829)	A90PM40	(1) 78.00 x 33.75 (1981 x 857)

^aPurchase panels separately.

Arc Flash
Safety Systems

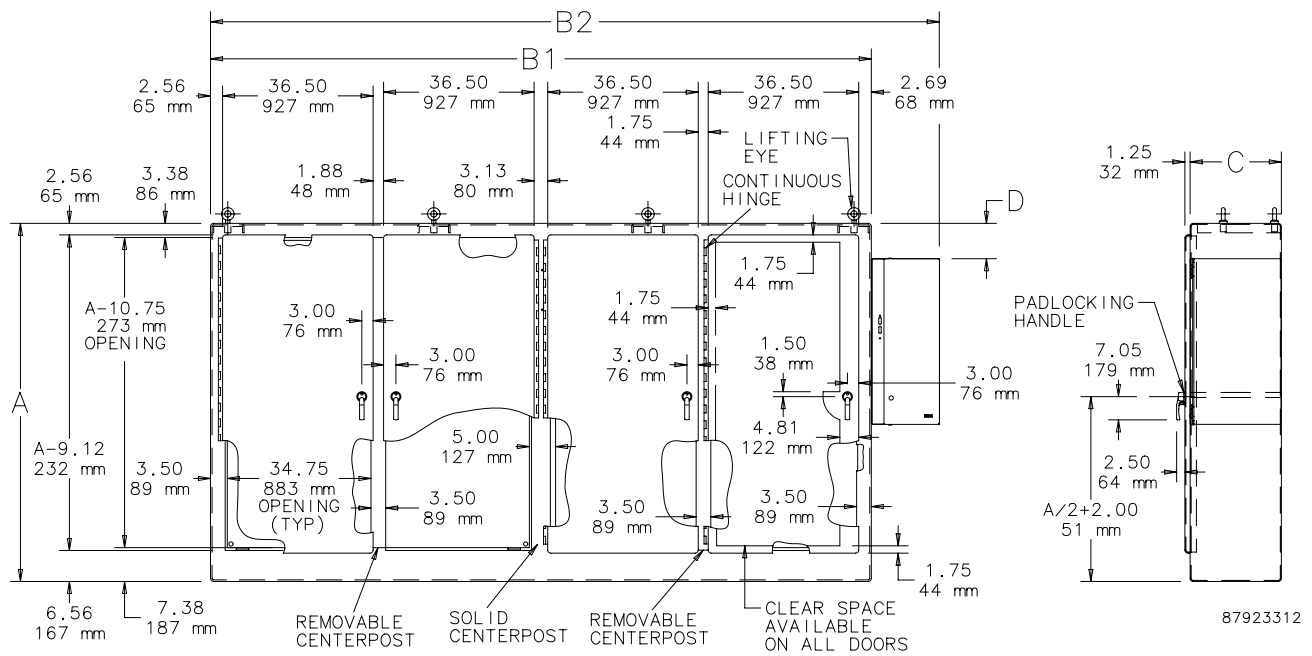


SEQUESTR™ External Disconnect Enclosure Packages

Standard Sizes Four-Door Enclosures

Catalog Number	Package Size A x B1 x C (in.)	Package Size A x B1 x C (mm)	B2 (in.)	B2 (mm)	D (in.)	D (mm)	Large Panel Catalog No. ^a	Number () and Size of Panels (in.)	Number () and Size of Panels (mm)
A84XD4EW18FTCLP	84.12 x 158.00 x 18.12	2137 x 4013 x 460	172.00	4369	12.00	305	A84PM78	(2) 72.00 x 72.00	1829 x 1829
A90XD4EW18FTCLP	90.12 x 158.00 x 18.12	2289 x 4013 x 460	172.00	4369	18.00	457	A90PM78	(2) 78.00 x 72.00	1981 x 1829
A84XD4EW24FTCLP	84.12 x 158.00 x 24.12	2137 x 4013 x 613	172.00	4369	12.00	305	A84PM78	(2) 72.00 x 72.00	1829 x 1829
A90XD4EW24FTCLP	90.12 x 158.00 x 24.12	2289 x 4013 x 613	172.00	4369	18.00	457	A90PM78	(2) 78.00 x 72.00	1981 x 1829

^aPurchase panels separately.

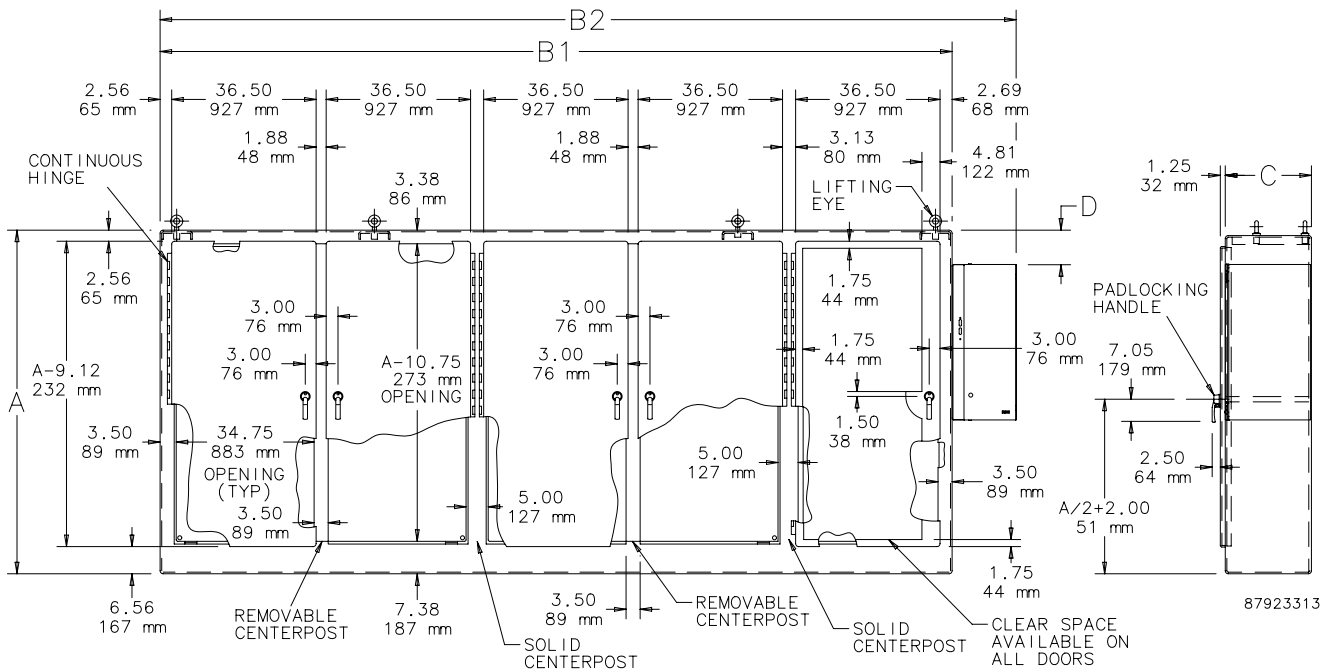


SEQUESTR™ External Disconnect Enclosure Packages

Standard Sizes Five-Door Enclosures

Catalog Number	Package Size A x B1 x C in. (mm)	B2 (in.)	B2 (mm)	D (in.)	D (mm)	Lrg. Panel Catalog No. ^a	Number () and Size of Panels	Sm. Panel Catalog No. ^a	Number () and Size of Panels
A84XD5EW18FTCLP	84.12 x 197.75 x 18.12 (2137 x 5023 x 460)	211.00	5359	12.00	305	A72PM78	(1) 72.00 x 72.00 (1829 x 1829)	A84PM40	(1) 72.00 x 33.75 (1829 x 857)
A90XD5EW18FTCLP	90.12 x 197.75 x 18.12 (2289 x 5023 x 460)	211.00	5359	18.00	457	A90PM78	(1) 78.00 x 72.00 (1981 x 1829)	A90PM40	(1) 78.00 x 33.75 (1981 x 857)
A84XD5EW24FTCLP	84.12 x 197.75 x 24.12 (2137 x 5023 x 613)	211.00	5359	12.00	305	A72PM78	(1) 72.00 x 72.00 (1829 x 1829)	A84PM40	(1) 72.00 x 33.75 (1829 x 857)
A90XD5EW24FTCLP	90.12 x 197.75 x 24.12 (2289 x 5023 x 613)	211.00	5359	18.00	457	A90PM78	(1) 78.00 x 72.00 (1981 x 1829)	A90PM40	(1) 78.00 x 33.75 (1981 x 857)

^aPurchase panels separately.



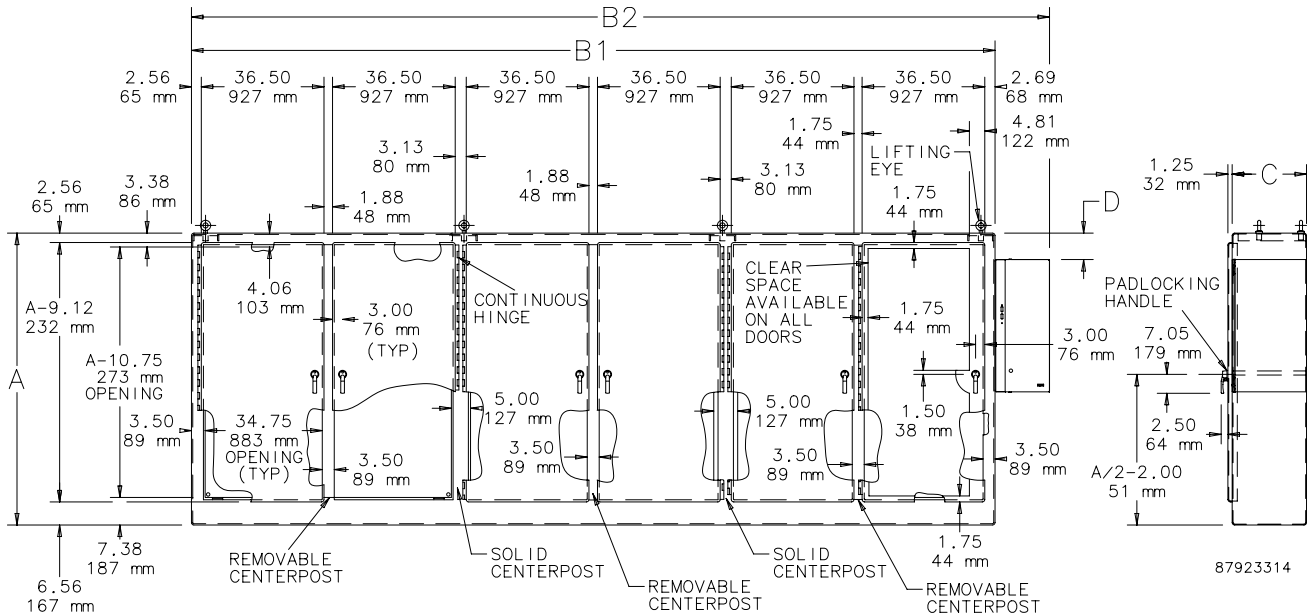
**Arc Flash
Safety Systems**

SEQUESTR™ External Disconnect Enclosure Packages

Standard Sizes Six-Door Enclosures

Catalog Number	Package Size A x B1 x C (in.)	Package Size A x B1 x C (mm)	B2 (in.)	B2 (mm)	D (in.)	D (mm)	Large Panel Catalog Number ^a	Number () and Size of Panels (in.)	Number () and Size of Panels (mm)
A84XD6EW24FTCLP	84.12 x 236.00 x 24.12	2137 x 5994 x 613	250.00	6350	12.00	305	A84PM78	(3) 72.00 x 72.00	1829 x 1829
A90XD6EW24FTCLP	90.12 x 236.00 x 24.12	2289 x 5994 x 613	250.00	6350	18.00	457	A90PM78	(3) 78.00 x 72.00	1981 x 1829

^aPurchase panels separately.



SEQUESTR™ External Disconnect Enclosure Packages

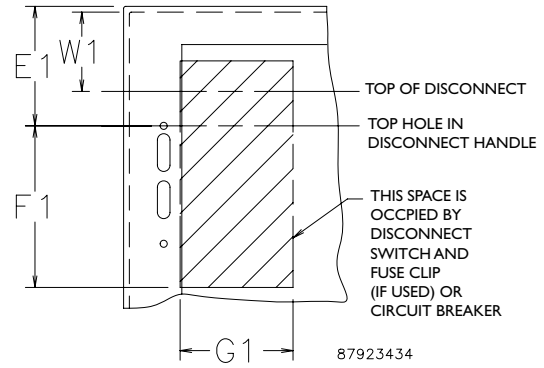
Disconnect Mounting Space

Disconnects will occupy space on panel shown by dimensions EI, FI, GI, and KI. Wiring space WI is available when disconnect is installed in the enclosure.

See the Hoffman Specifier's Guide Technical Information chapter for EI Spacing by Enclosure Height for various disconnect switch manufacturers.

Refer to *National Electrical Code*® 2005 article 430.10(B) for wiring space required for line side conductors to be connected to disconnect. **Verify your application to determine if wiring space is adequate.**

NOTE: Consult Space Occupied by Disconnect drawing to determine whether the disconnect device you are using will fit the enclosure size you have selected.



Type 4/12 External Data Pocket

**Bulletin
A70E**



Application

Data pockets designed to be mounted on the exterior of an enclosure. Provide access to system documentation without opening the enclosure door. Well-suited for applications where prevention of arc flash exposure is a concern.

Features

- Foam-in-place gasket to protect documentation from harsh environments
- Hinged front for easy access to contents
- Three sizes to accommodate a wide variety of documents
- Sloped top to shed liquids and prevent accumulation of extraneous material
- Optional wing knob and keylock inserts available for additional security

Construction

- 16 gauge steel
- Front of pocket hinges away from frame

Finish

Either ANSI 61 medium gray or RAL 7035 light gray polyester powder finish inside and out (see table)

Industry Standards

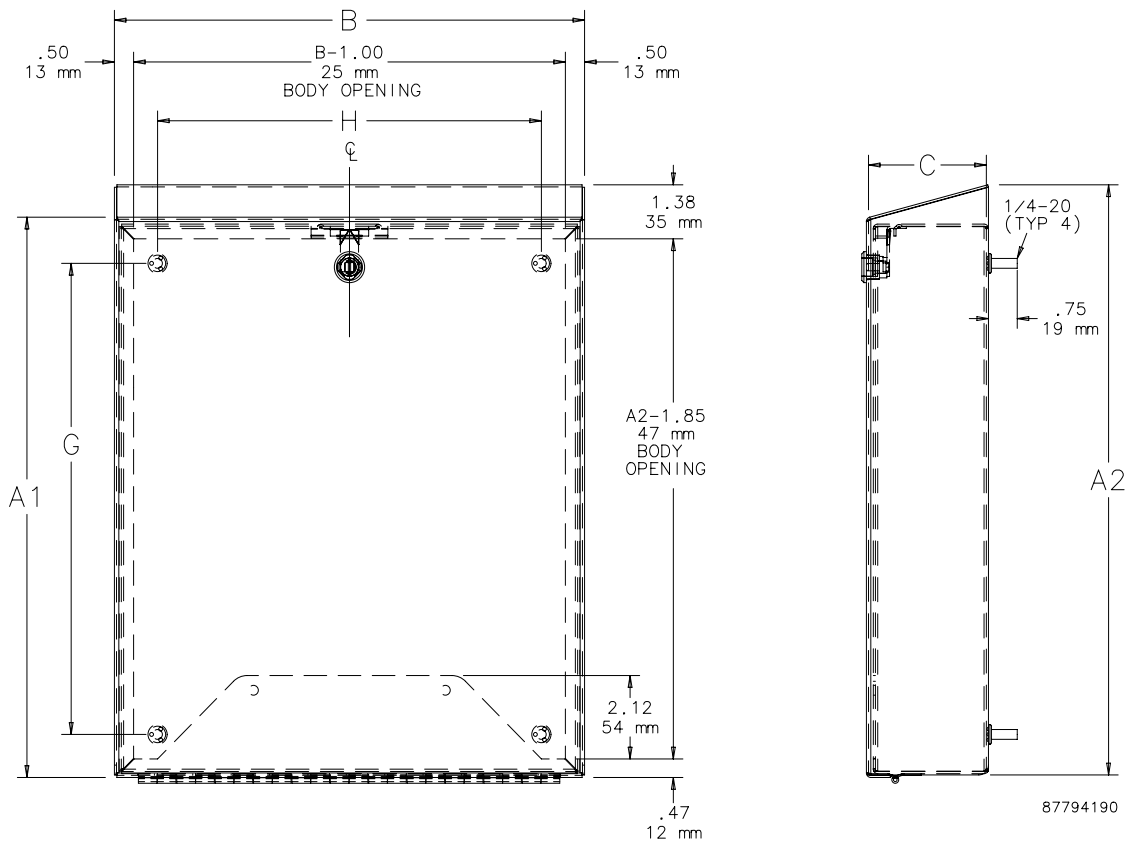
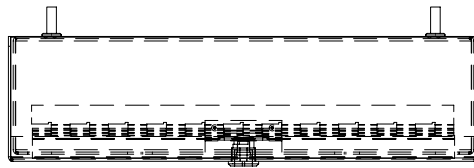
UL 508A, File No. E61997: Type 4, 12,
cUL C22.2 No. 94, File No.E61997: Type 4, 12
NEMA/EEMAC Type 4, 12
IEC 60529, IP66

Type 4/12 External Data Pocket

**Bulletin
A70E**

Standard Sizes Type 4/12 External Data Pocket

Catalog Number	A1 (in.)	A1 (mm)	A2 (in.)	A2 (mm)	B (in.)	B (mm)	C (in.)	C (mm)	Color	G (in.)	G (mm)	H (in.)	H (mm)
ADPX4A	14	356	15.10	384	12	305	3.25	76	ANSI 61	12	305	10	254
ADPX4ALG	14	356	15.10	384	12	305	3.25	76	RAL 7035	12	305	10	254
ADPX4B	6	152	6.83	173	6	152	2.25	51	ANSI 61	4	102	4	102
ADPX4BLG	6	152	6.83	173	6	152	2.25	51	RAL 7035	4	102	4	102
ADPX4C	12	305	12.96	329	18	457	2.75	64	ANSI 61	10	254	16	406
ADPX4CLG	12	305	12.96	329	18	457	2.75	64	RAL 7035	10	254	16	406



**Arc Flash
Safety Systems**

Optional Lock Inserts for External Data Pockets

**Bulletin
A80**

Key Inserts



Key inserts can be substituted for the standard slotted quarter-turn latch. Inserts have chrome finish. Key included.

Catalog Number	Description
LLKSM7	Square 7mm
LLKSM8	Square 8mm
LLKDB	Daimler Benz
LLKDBM3	Double bit 3mm
LLKSS	Slotted screw

Wing Knob Latch



Wing Knob Latch can replace the standard slotted quarter-turn latch. Latch is black die-cast zinc. Reduces Type rating from 4 to I2. Two keys and installation instructions are furnished.

Catalog Number
LLKWK

Large Gray Folding Shelf

Bulletin
A80



Arc Flash
Safety Systems

Application

Supports instruments and test equipment that are used to install and maintain electrical components in an enclosure. Also ideally suited for supporting programmers, monitoring units and other equipment used with programmable controllers. Shelf can be installed on inside or outside surface of larger Hoffman enclosures.

Features

- Low profile when closed [1.6 inches (41mm)]
- Formed-in pencil trough
- Automatically locks in horizontal position when raised

Construction

- 14 gauge steel
- Continuous hinge

Finish

Painted light gray (RAL 7035) or medium gray (ANSI 61).

Industry Standards

Maintains UL/CSA Type 4 and Type 12 when properly installed on Hoffman enclosure

Standard Sizes Large Gray Folding Shelf

Catalog Number	Size (in.)	Size (mm)	Maximum Distributed Load Rating (lbs.)	Maximum Distributed Load Rating (kg)	Finish
AASHFL1218G	12.00 x 18.00	305 x 457	150	68	Medium gray
AASHFL1218LG	12.00 x 18.00	305 x 457	150	68	Light gray
AASHFL1818G	18.00 x 18.00	457 x 457	150	68	Medium gray
AASHFL1818LG	18.00 x 18.00	457 x 457	150	68	Light gray
AASHFL2424G	24.00 x 24.00	610 x 610	150	68	Medium gray
AASHFL2424LG	24.00 x 24.00	610 x 610	150	68	Light gray